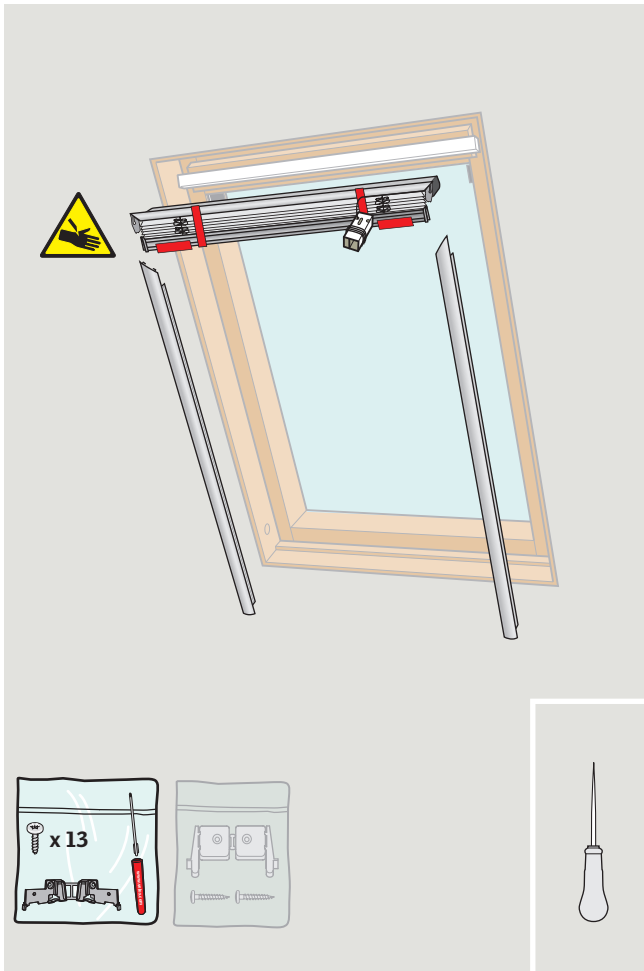


VELUX®

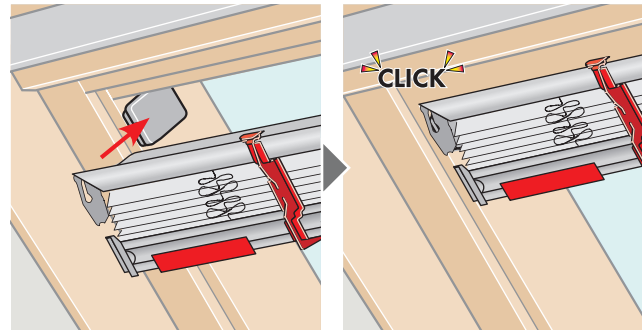
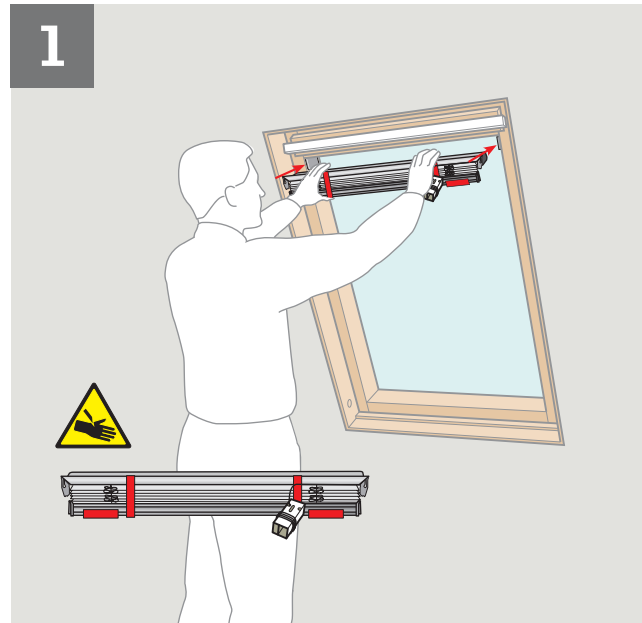
PAL



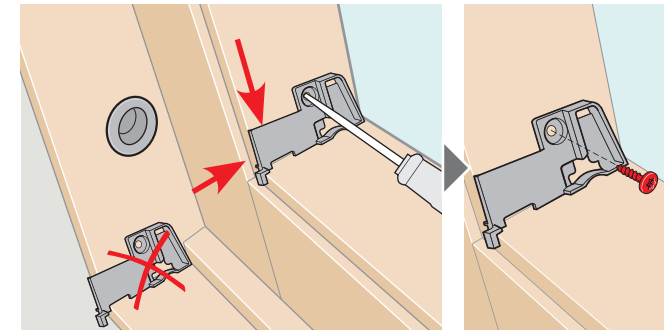
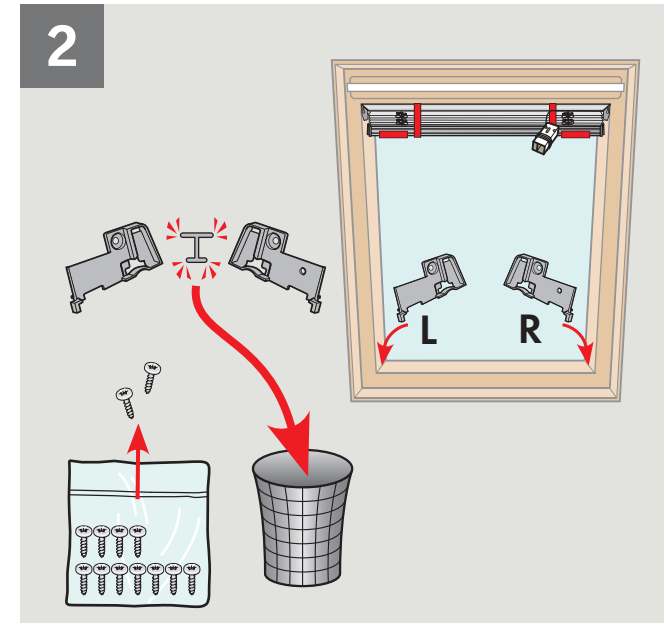
VAS 452174-2010-01



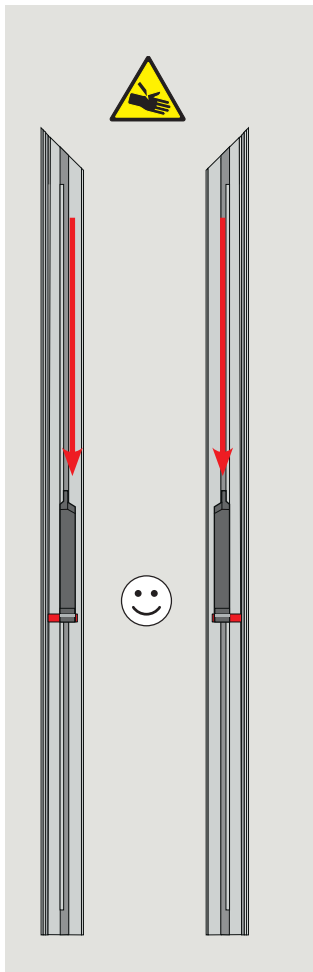
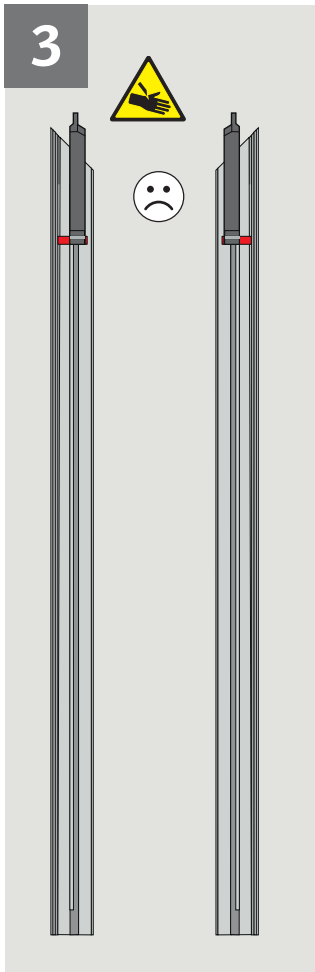
2 VELUX



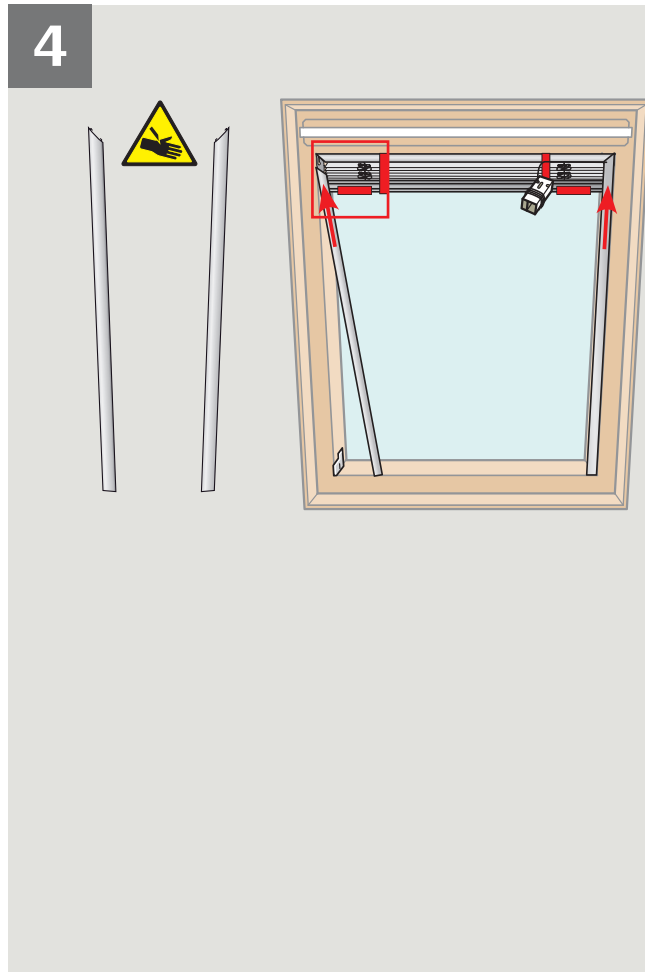
3 VELUX



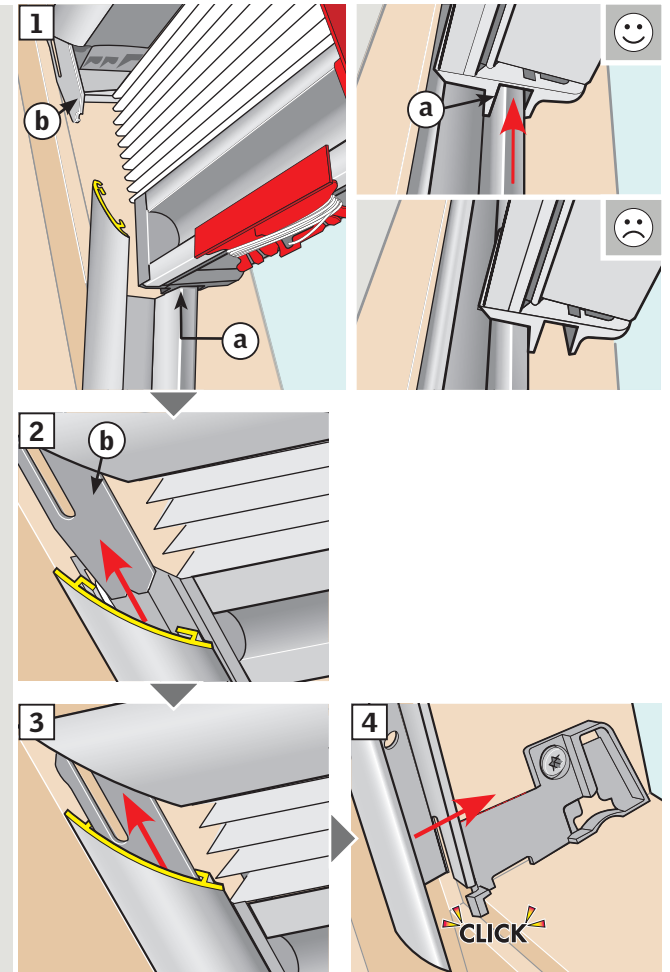
4 VELUX



5 VELUX



6 VELUX



7 VELUX

VELUX®

AR: VELUX Argentina S.A.
0 114 711 5666

AT: VELUX Österreich GmbH
02245/32 3 50

AU: VELUX Australia Pty. Ltd.
1300 859 856

BA: VELUX Bosna i Hercegovina d.o.o.
033/626 493, 626 494

BE: VELUX Belgium
(010) 42.09.09

BG: VELUX Bulgaria EOOD
02/955 95 26

BY: VELUX Roof Windows FE
(017) 217 7385

CA: VELUX Canada Inc.
1 800 88-VELUX (888-3589)

CH: VELUX Schweiz AG
0848 945 549

CL: VELUX Chile Limitada
2 953 6789

CN: VELUX (CHINA) CO. LTD.
0316-607 27 27

CZ: VELUX Česká republika, s.r.o.
531 015 511

DE: VELUX Deutschland GmbH
0180-333 33 99

DK: VELUX Danmark A/S
45 16 45 16

EE: VELUX Eesti OÜ
621 7790

ES: VELUX Spain, S.A.
91 509 71 00

FI: VELUX Suomi Oy
0207 290 800

FR: VELUX France
0821 02 15 15
0.119€ TTC/min

GB: VELUX Company Ltd.
01592 778 225

HR: VELUX Hrvatska d.o.o.
01/5555 444

HU: VELUX Magyarország Kft.
(06/1) 436-0601

IE: VELUX Company Ltd.
01 848 8775

IT: VELUX Italia s.p.a.
045/6173666

JP: VELUX-Japan Ltd.
0570-00-8145

LT: VELUX Lietuva, UAB
(85) 270 91 01

LV: VELUX Latvia SIA
67 27 77 33

NL: VELUX Nederland B.V.
030 - 6 629 629

NO: VELUX Norge AS
22 51 06 00

NZ: VELUX New Zealand Ltd.
0800 650 445

PL: VELUX Polska Sp. z o.o.
(022) 33 77 000 / 33 77 070

PT: VELUX Portugal, Lda
21 880 00 60

RO: VELUX România S.R.L.
0-8008-83589

RS: VELUX Srbija d.o.o.
011 3670 468

RU: ZAO VELUX
(495) 737 75 20

SE: VELUX Svenska AB
042/20 83 80

SI: VELUX Slovenija d.o.o.
01 724 68 68

SK: VELUX Slovensko, s.r.o.
(02) 33 000 555

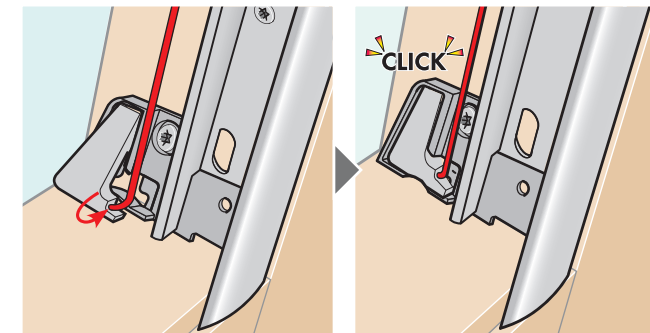
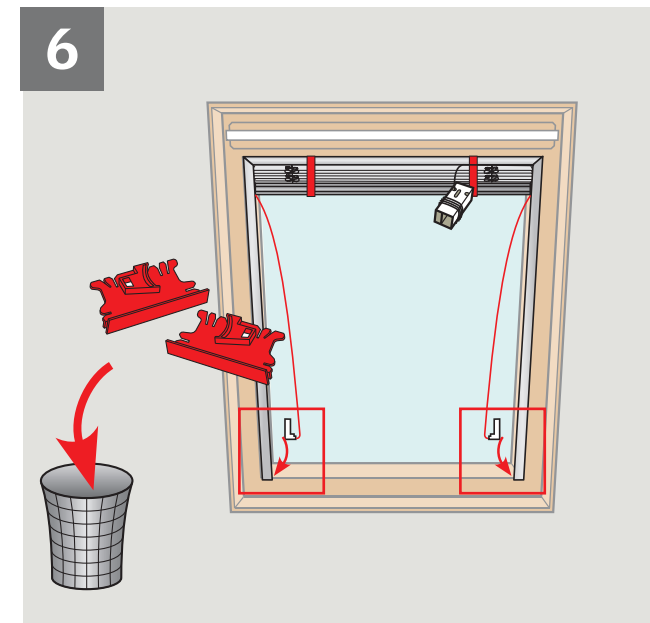
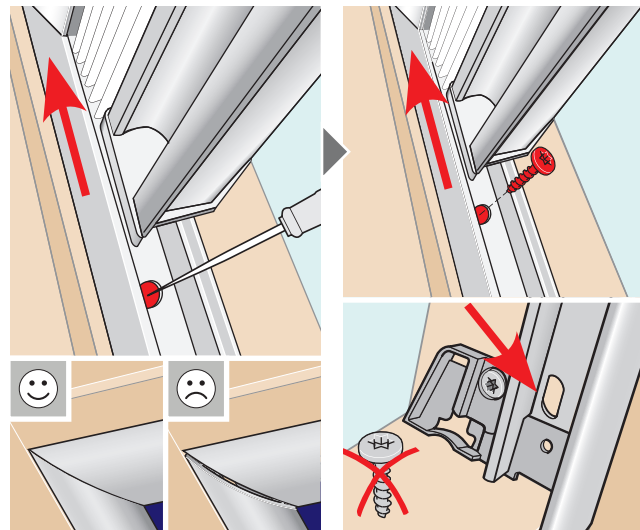
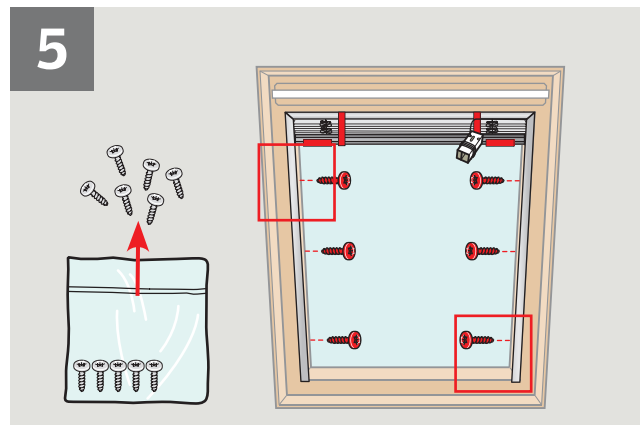
TR: VELUX Çati Pencereleri
Ticaret Limited Şirketi
0 216 302 54 10

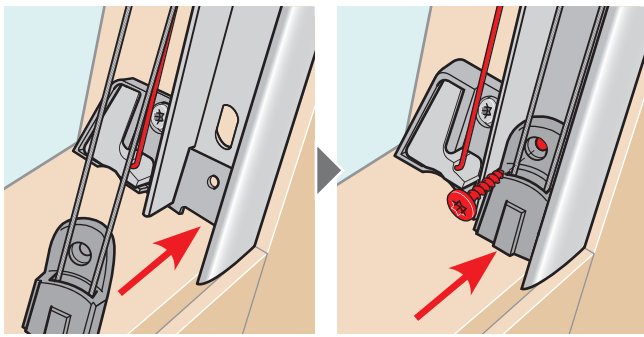
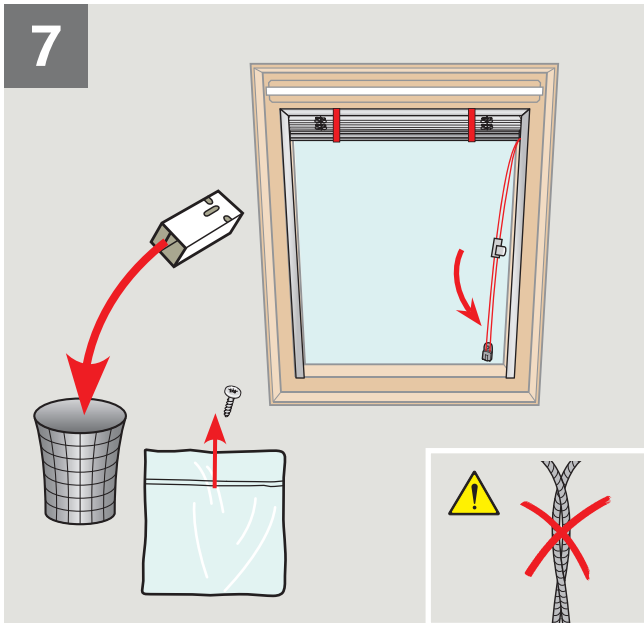
UA: VELUX Ukraina TOV
(044) 2916070

US: VELUX America Inc.
1-800-88-VELUX

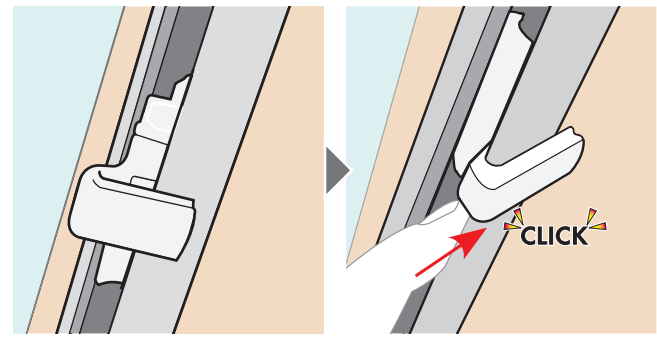
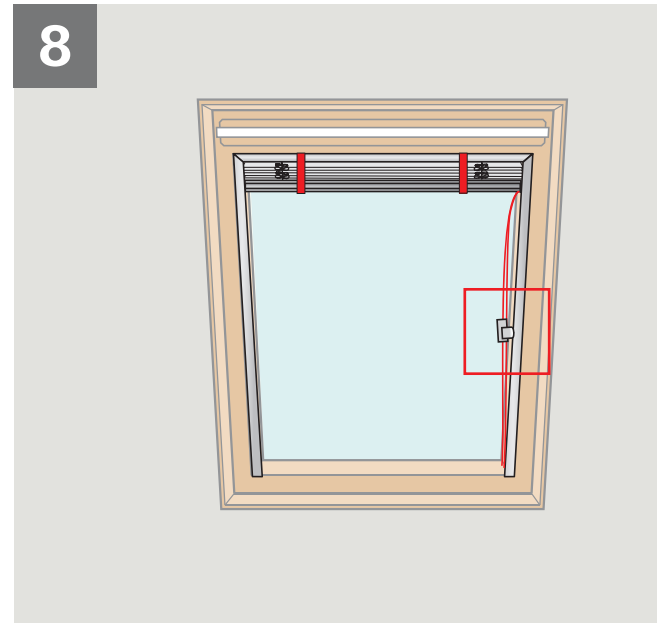
www.velux.com

INSTALLATION INSTRUCTIONS FOR PAL © 2016 VELUX GROUP
®VELUX AND THE VELUX LOGO ARE REGISTERED TRADEMARKS USED UNDER LICENCE BY THE VELUX GROUP

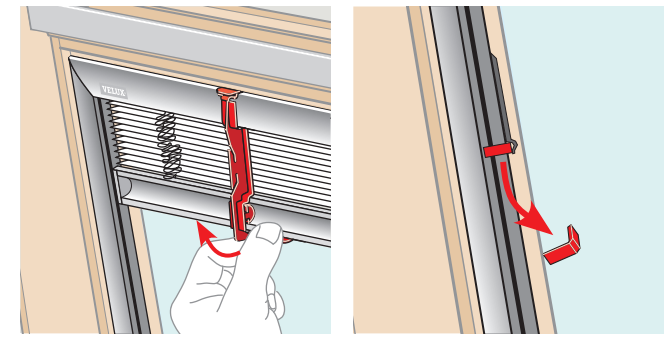
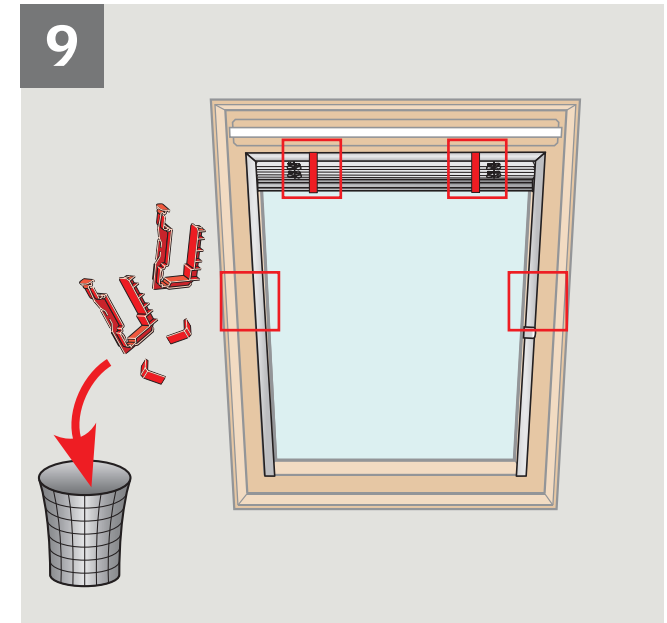




11 VELUX



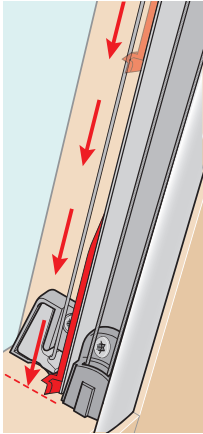
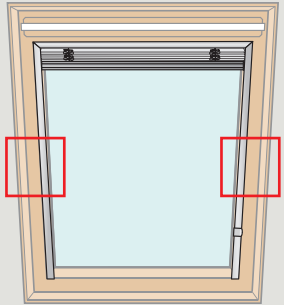
12 VELUX



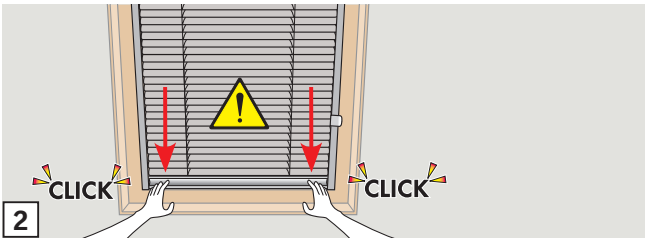
13 VELUX

10

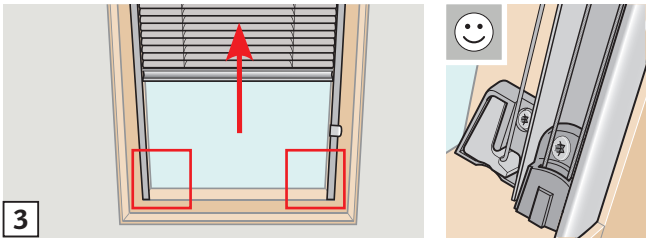
1



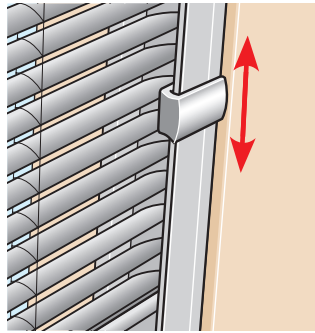
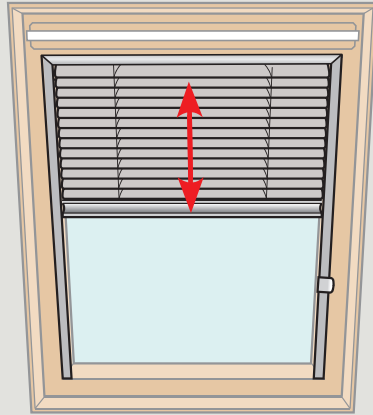
2



3



11



15 VELUX



16 VELUX